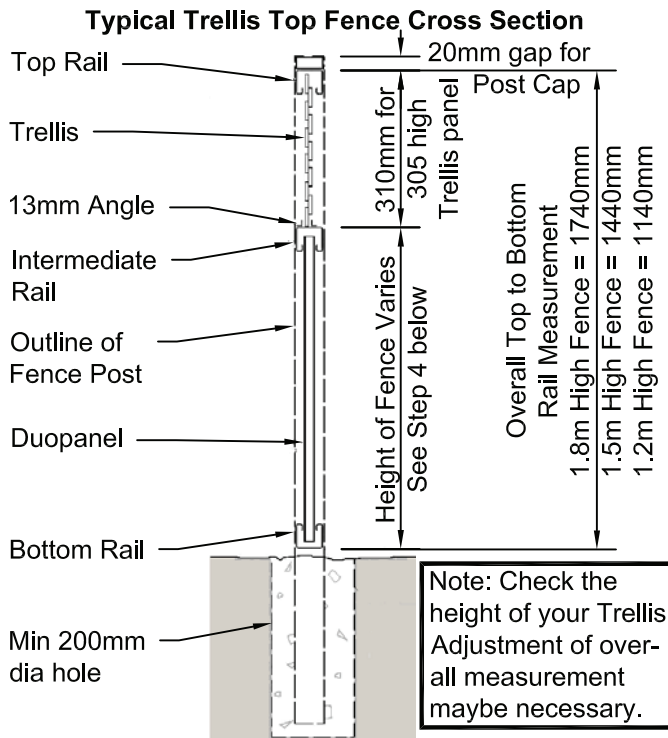


## Trellis Top Fence Additional Instructions



**Step 1** - Assemble the frames and concrete into the ground as per standard fencing (bottom rail and top rail only).

**Step 2** - Remove the top rail.

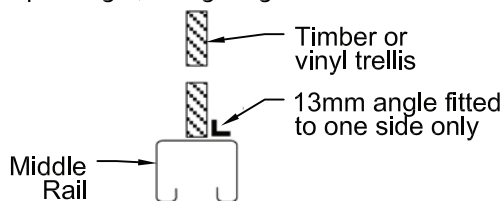
**Step 3** - Use the stretchies between the posts and slide together the duo panels into the bottom rail (refer standard fence instructions).

**Step 4** - Before fixing the intermediate rail check the dimensions of the trellis panel. The clearance height of the rail may need adjusting, and the trellis panel may require trimming for length.

**Step 5** - Fix the intermediate rail by sliding it over the duo panels, make sure the overall dimensions are correct before Tek screwing. Tek screw one side only initially.

Fence Height	Distance Over Rails for Panels
1.8m	1430mm
1.5m	1130mm
1.2m	830mm

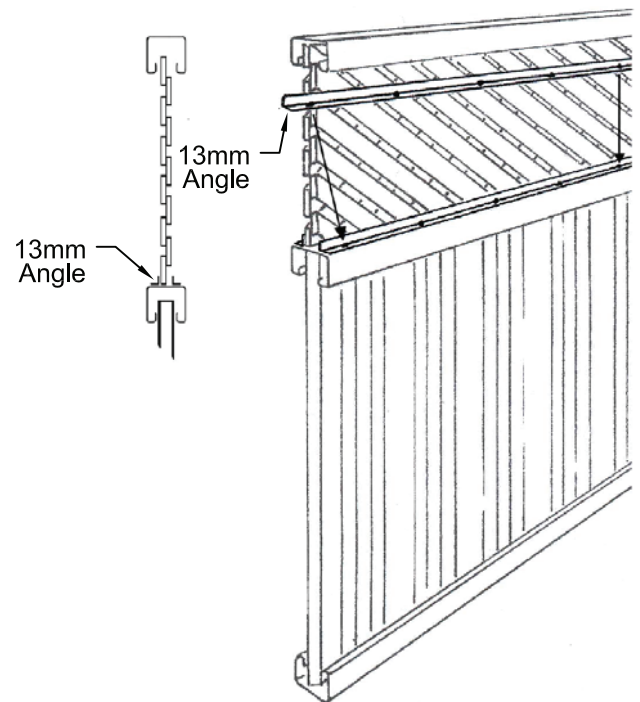
**Step 6** - Take a 13mm angle and Tek screw this to the top of the intermediate rail to one edge. Use 5x tek screws per angle, along length of rail.



**Step 7** - Sit the trellis onto the intermediate rail. The posts at each end of the fence panel will temporarily support the trellis and it will rest against the single 13mm angle fitted to the middle rail.

**Step 8** - Fit the top rail over the trellis. The fence post should now stand proud of the top rail by 20mm, enough to fit the end caps on..

**Step 9** - Fix the other 13mm 'L' angle to the intermediate rail, use 5x Tek screws.



**Step 10** - Before fixing the remaining tek screws, run a stringline along the middle rail to ensure correct alignment. Then fix all the remaining tek screws and fit the caps.

**Step 11** - PVC TRELLIS TOP - Fit 6 pieces of rubber hosing supplied with each panel of fence. Insert these in pairs into the top rail in three positions along the panel length to support the vinyl trellis in the top rail.

