

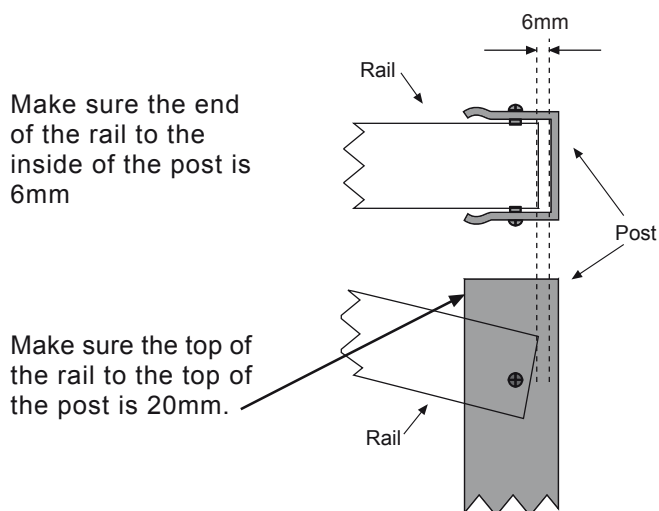
Installation With a 300 to 500mm Drop Over a 2.42m Panel

Note: You will need to read Instruction Sheet C1 on standard Colorscreen fencing installation before reading these instructions.

Moduline Colorscreen fencing can be racked up to a 500mm drop in each 2.42m section relatively simply. Installations that require a steeper drop than this are possible, but slightly more complicated. Please contact Moduline to discuss steeper drops.

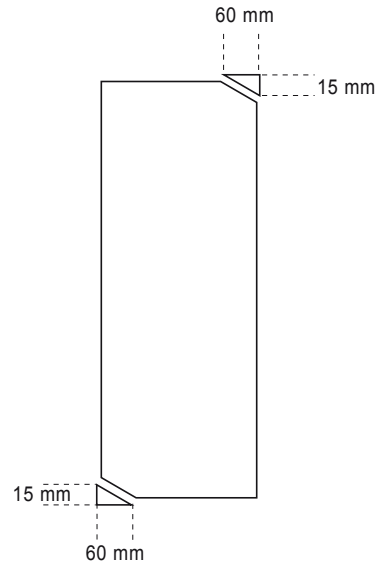
Step 1 - Follow steps 1 to 4 on Sheet C1.

Step 2 - When you are assembling the frames in Step 5 of Sheet C1, rack the frames to the desired angle, making sure there is still a 6mm gap between the end of the rail and the inside of the post as shown in the diagram. Finish assembling the frames as in steps 6 to 8.



Step 3 - Concrete the frames into the ground as in steps 9 to 15 of Sheet C1, making sure that the frames follow the contour as you require.

Step 4 - Trim the edges of the duopanel. All panels will need to be trimmed to fit inside the rails as shown below. Also trim the LH and RH panels.



Step 4 - Follow steps 16-21 on sheet C1. It is easier to start with the lowest duopanel, and work your way uphill. You will need to cut the last duopanel, because the horizontal distance between the posts reduces as the panel is racked.

In this case it reduces by around 50-60mm, and you will need to trim this amount off the last duopanel. Please see "Assembling Shorter Length Panels" on Page 3, Sheet C1 for details on trimming the duopanel.

