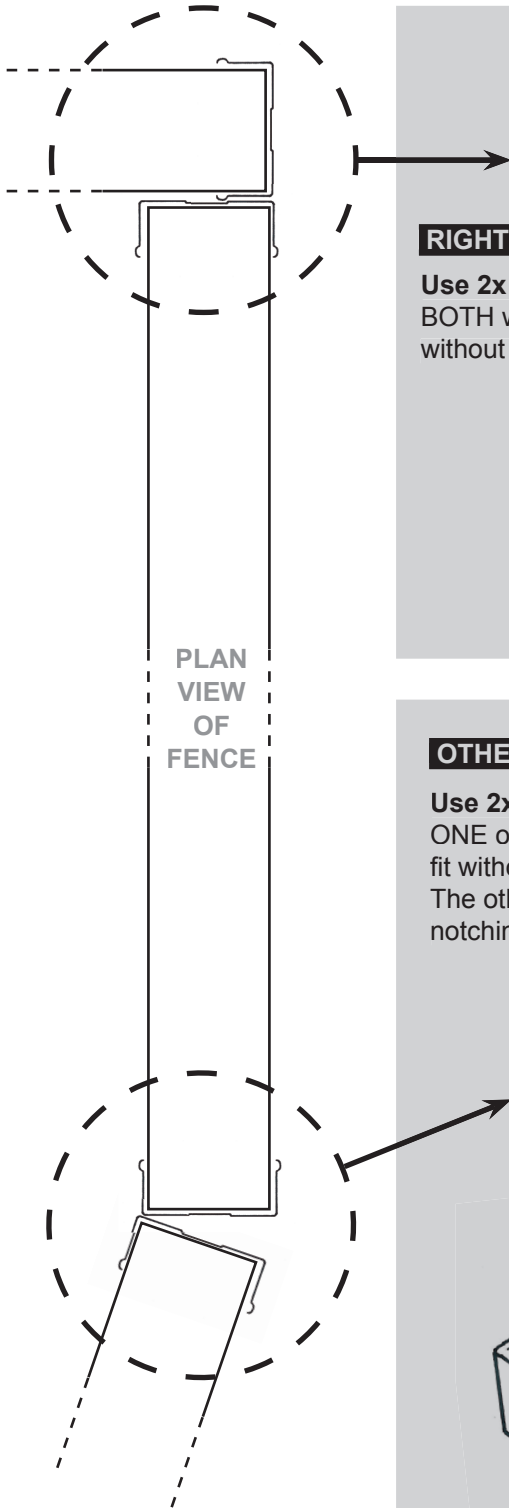


MODULINE POOLSIDE FENCING

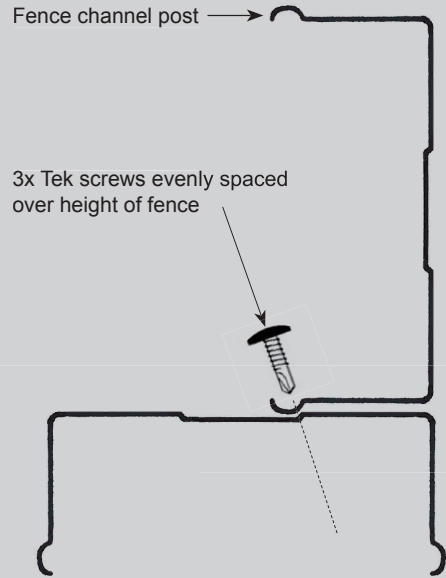
K4

Typical Fence Joining Details at 90° and Other Angles.



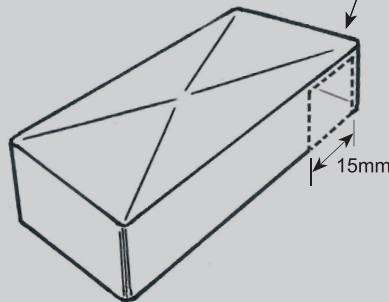
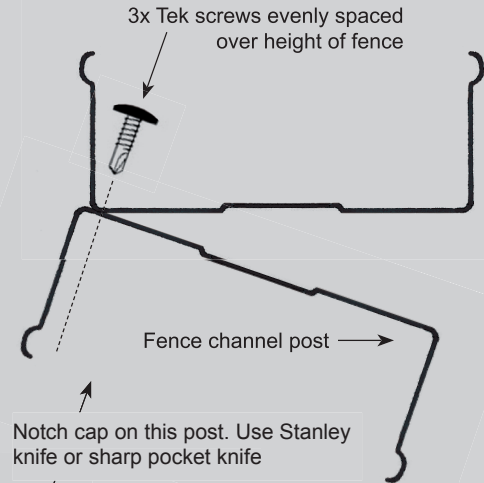
RIGHT ANGLES

Use 2x single caps.
BOTH will fit snugly
without notching.



OTHER ANGLES

Use 2x single caps.
ONE of these will
fit without notching.
The other will require
notching to fit snugly.



METAL ROLLFORMING LIMITED

PO BOX 18-217, AUCKLAND 1743, PHONE (09)527-7897, FAX (09)527-7896