

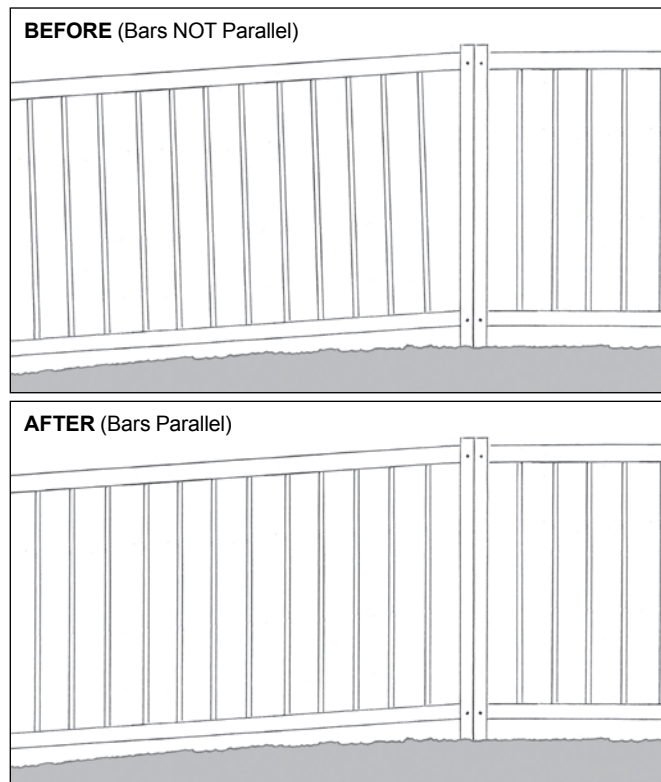
## Adjusting the Gap Between Fence Post and 19mm Square Bar

The gap between the rail and fence post is to allow the panel to be raked to follow the ground contour.

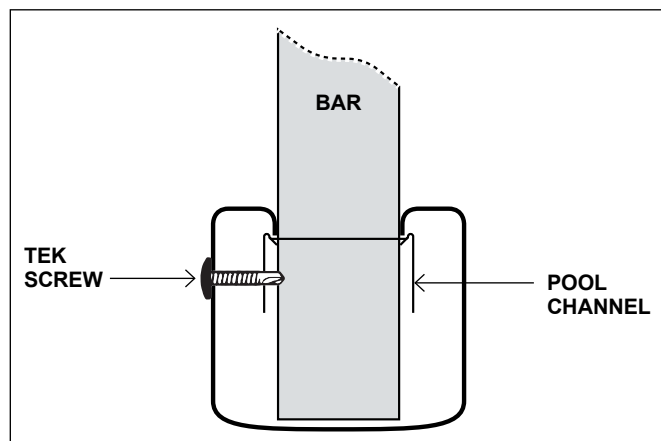
This can result in the bars moving and not remaining parallel with the post. There are two methods to fix this.

### Option 1

Step 1 - Adjust the bars so they are vertical and the gap between the bar and post is less than 100mm.



Step 2 - Tek screw through the top and bottom rail in line with the bar so that the tek screw pushes hard against the pool channel and the bar.

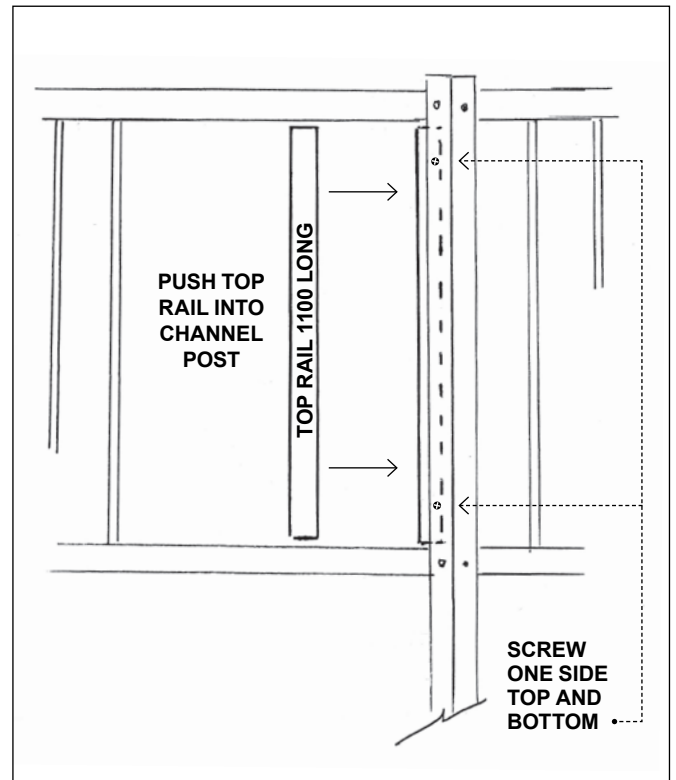


### Option 2

Step 1 - Cut a length of rail to the exact vertical length between the horizontal rails.

Step 2 - Ensure there are no sharp edges where it is cut.

Step 3 - Push the rail hard vertically into the U shaped fence post.



Step 4 - Tek screw the post to the rail insert on one side top and bottom.

