

# MODULINE POOLSIDE FENCING

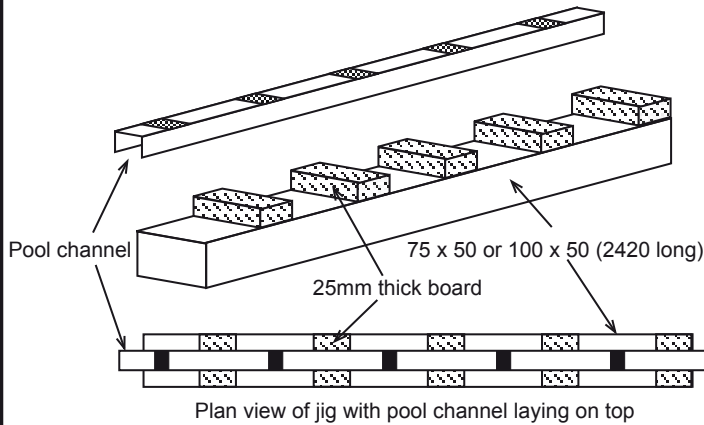
R2

## Alternative Assembly of Pool Channel for Large Volumes - BARS NOT NOTCHED

Please Note: These Instructions should be used in conjunction with Sheet L

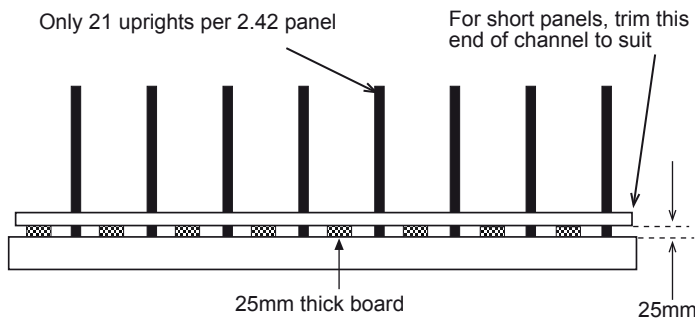
Step 1 - Prior to commencing make a jig.

Use a length of 75 x 50 or 100 x 50 timber cut to length at 2420mm, and lay pool channel on top. Cut 22 small squares of 25mm thick board and nail each square onto the 75 x 50 spacing the blocks so as to fit between the holes of the pool channel



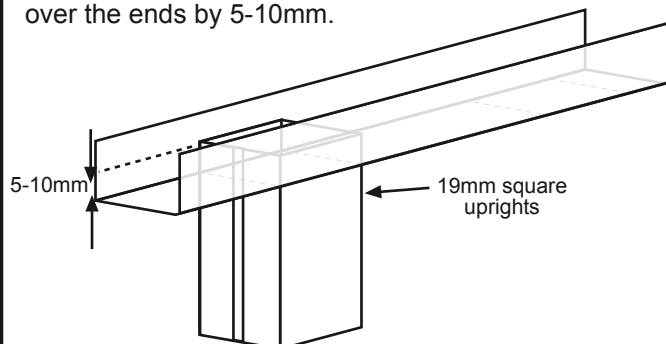
Step 2 - Fix bottom pool channel.

Press each 19mm square into the holes in the pool channel - rest uprights against wall. Make sure that seams are all facing along the fence in the same direction.



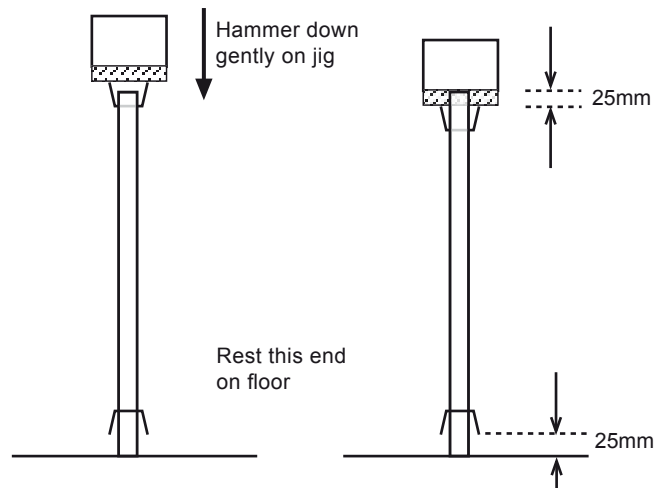
Step 3 - Fix top pool channel

Gently tap the top pool channel over ends of each 19 mm square upright. Start from one end and only fix the channel over the ends by 5-10mm.



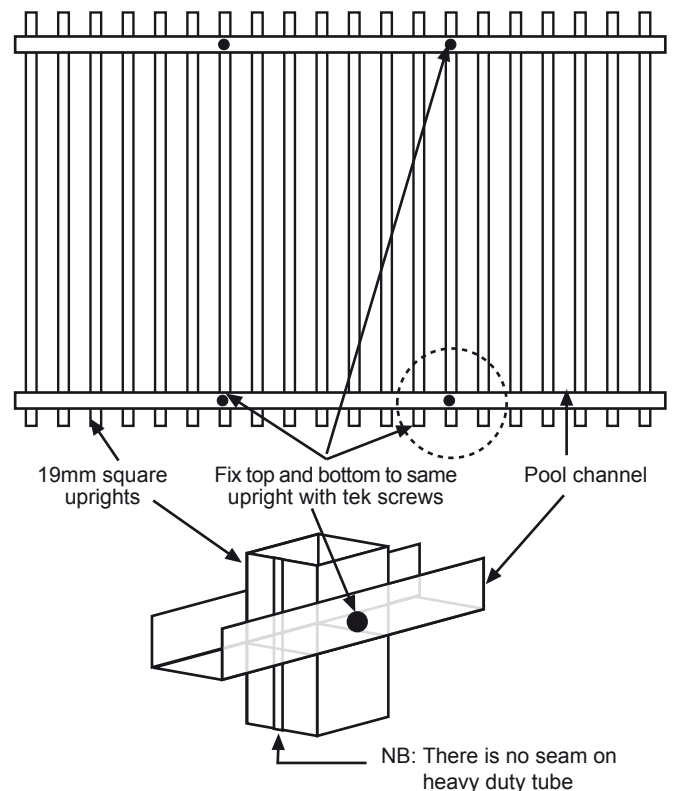
Step 4 - Use Jig upside down

Take the jig and rest upside down on the pool channel. Now gently hammer down the jig so all the squares are evenly driven through the pool channel by 25mm.



## Galvanised or Heavy Duty Fencing

For galvanised or Heavy Duty tube fencing, the 19mm uprights need to be secured to the pool channel using 4 tek screws as shown below.



METAL ROLLFORMING LIMITED

PO BOX 18-217, AUCKLAND 1743, PHONE (09)527-7897, FAX (09)527-7896